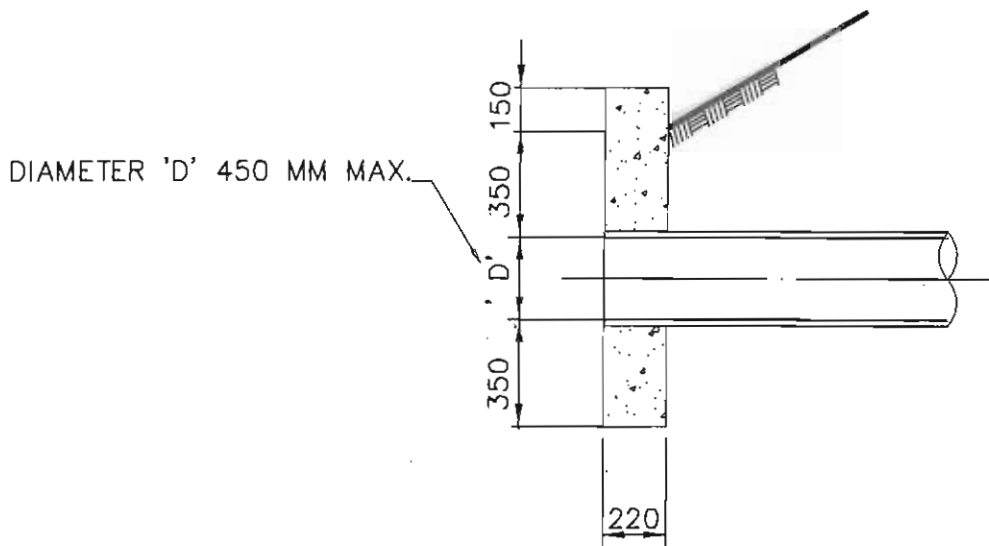


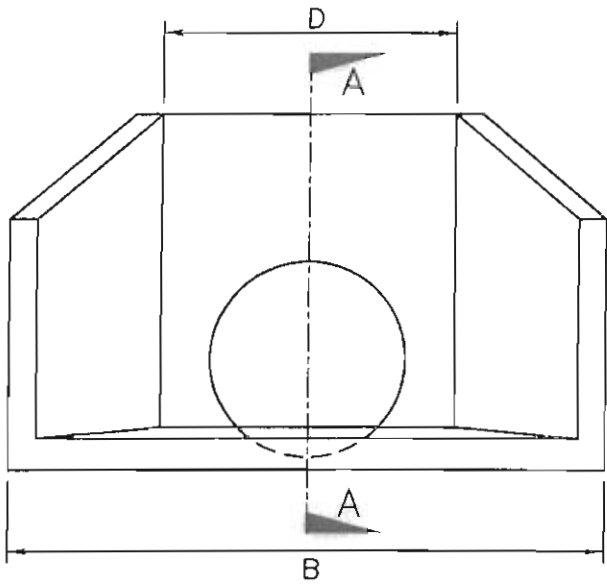


ELEVATION

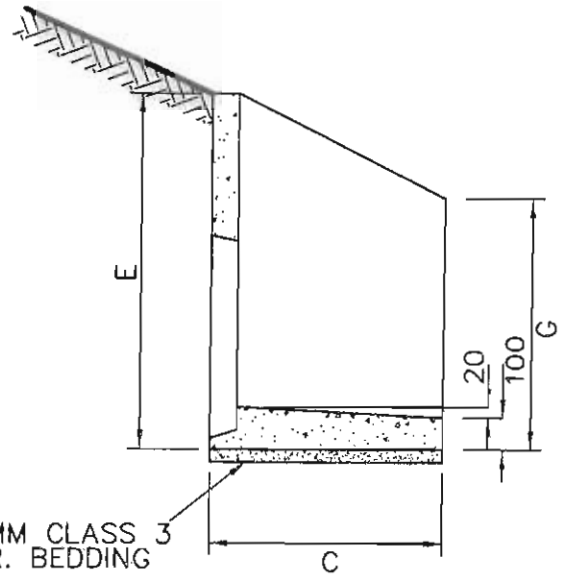


SECTION A-A

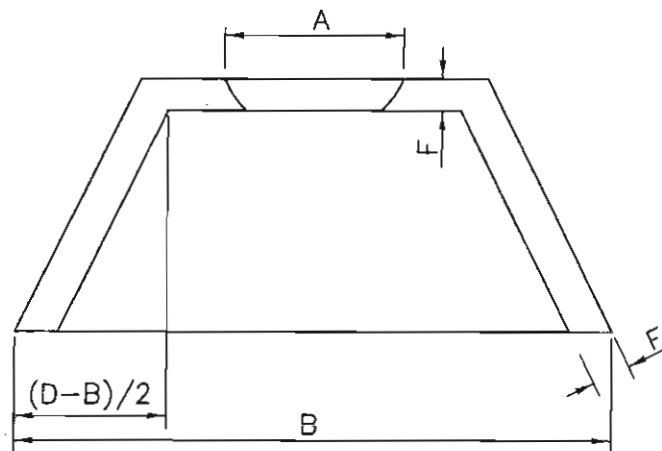
CHECKED 	<h1 style="margin: 0;">KNOX CITY COUNCIL</h1> <p style="margin: 0;">CAST INSITU PLAIN CONCRETE END WALL</p>	DATE 9-02-2012
APPROVED 		REVISION A
SCALE N.T.S.		CAD FILE NAME S 140.1



ELEVATION





SECTION A-A



PLAN

NOM. PIPE SIZE	NOMINAL DIMENSIONS IN MM						
	A	B	C	D	E	F	G
300	385	1600	640	750	915	95	710
375	475	1600	640	750	915	95	710
450	550	1600	640	750	915	95	710
525	640	1700	685	800	1035	95	775
600	730	1700	685	800	1035	95	775
675	775	2040	1015	1195	1410	92	1095
750	905	2040	1015	1195	1410	92	1095
825	950	2000	1050	1195	1400	92	1095
900	1055	2040	1015	1195	1410	92	1095

CHECKED

 APPROVED

 SCALE
 N.T.S.

KNOX CITY COUNCIL

PRE CAST CONCRETE END WALL

DATE
 9-02-2012

REVISION

CAD FILE NAME
 S 140.2