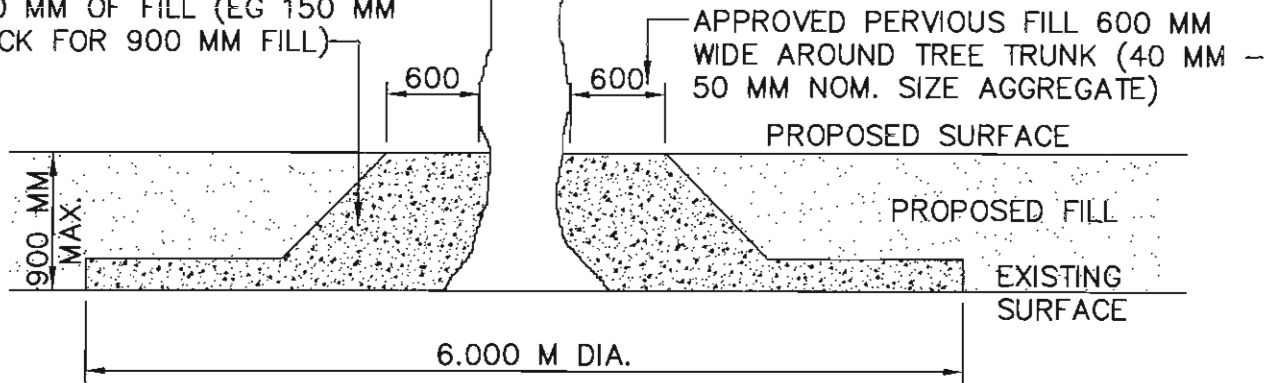


LAYER OF APPROVED PERVIOUS FILL (NO CLAY CONTENT). LAYER DEPTH TO BE 50 MM FOR EACH 300 MM OF FILL (EG 150 MM THICK FOR 900 MM FILL)



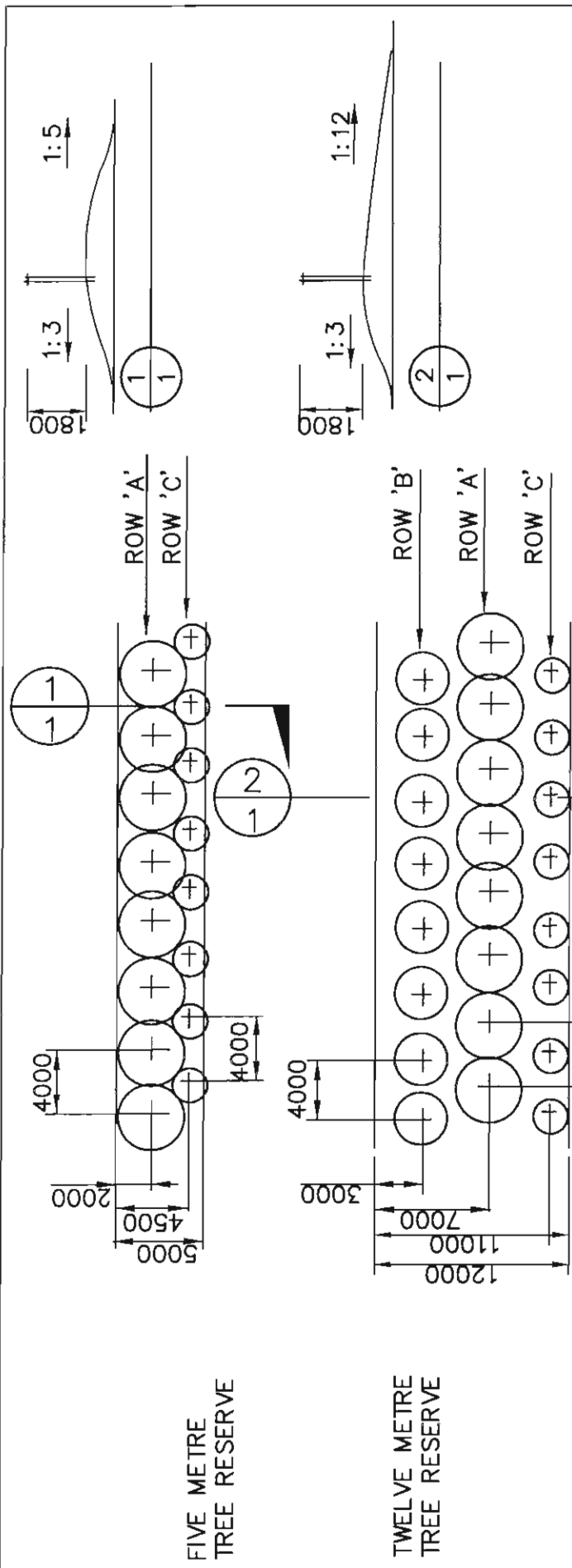
TYPICAL CROSS SECTION OF BREATHING LAYER TO BE PLACED AT TREES IN MORE THAN 300 MM OF FILL

CHECKED <i>Jan Stacey</i>
APPROVED <i>Jan Stacey</i>
SCALE N.T.S.

# KNOX CITY COUNCIL

## BREATHING LAYER FOR TREES IN FILL

DATE 1-8-2001
REVISION
CAD FILE NAME S 650.1

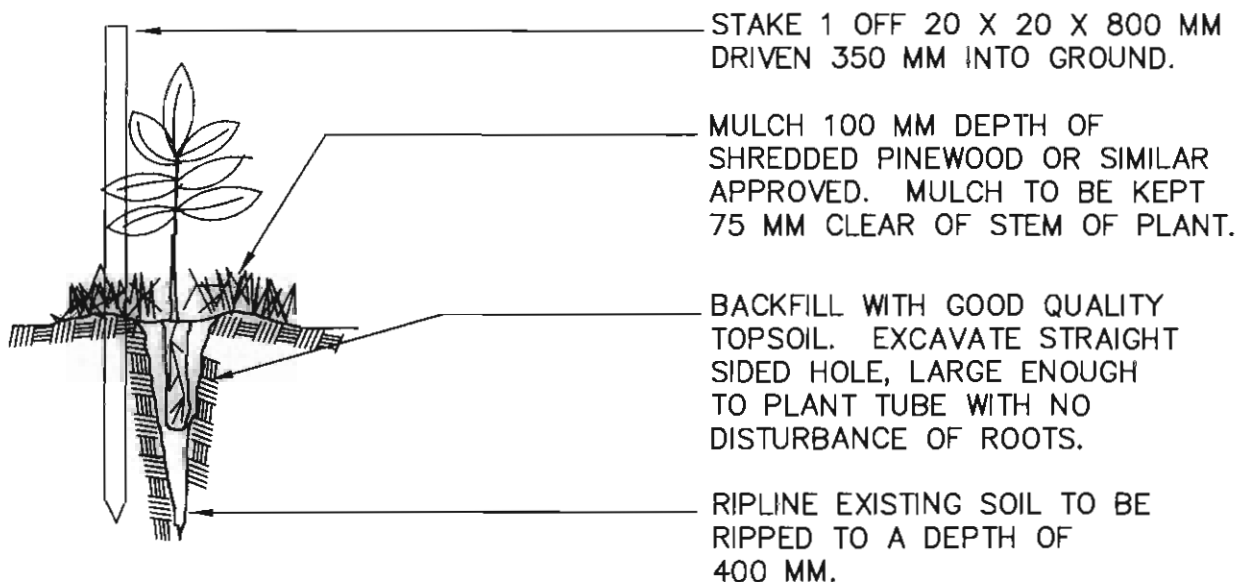
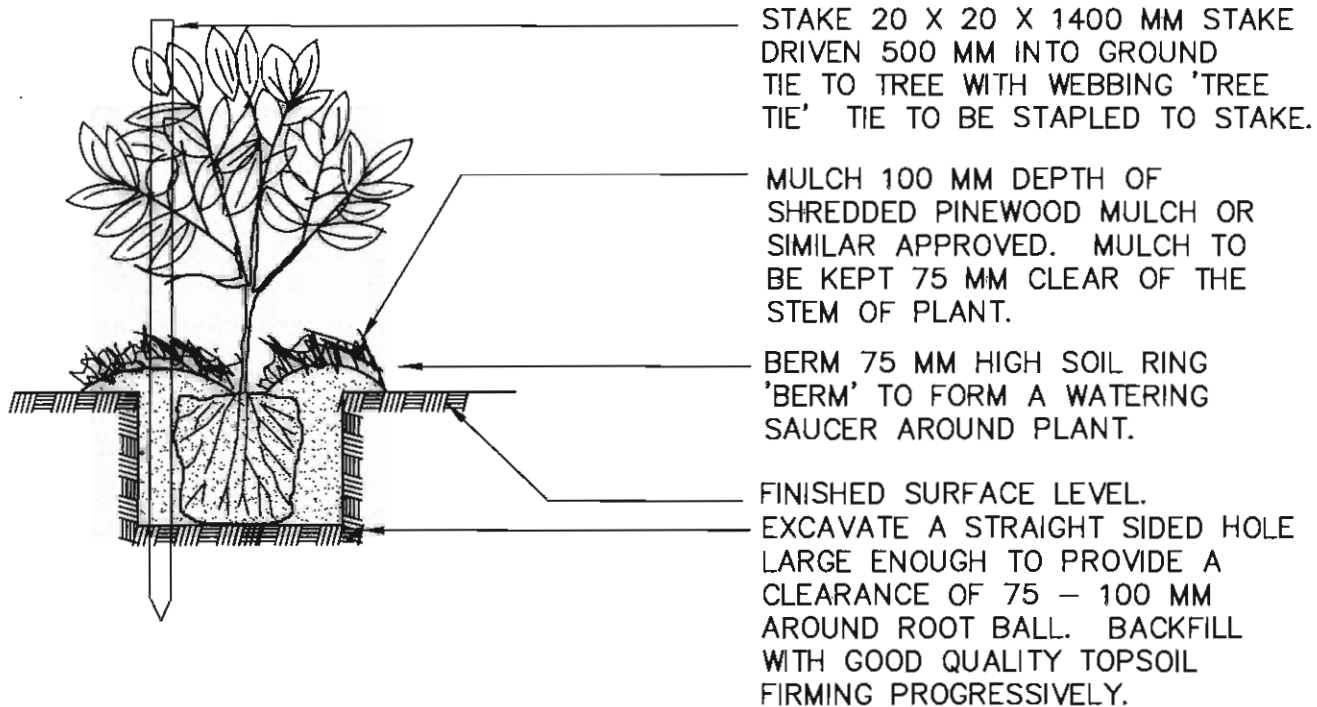


**NOTES**  
 CONSTRUCT 1000 MM HIGH MOUND ALONG SUBDIVISION BOUNDARY AND INSTALL FENCE TO CITY OF KNOX STANDARD S412.1/S412.2 MOUND TO BE COMPACTED TO 90% AUSTRALIAN STANDARD FOR 1500 MM EITHER SIDE OF FENCE. ALL PLANT MATERIAL TO BE SOURCED FROM LOCAL SEED STOCK. NURSERIES THAT SELL LOCALLY SOURCED PLANTS INCLUDE  
 - BUSHLAND FLORA 97364364  
 - KNOX ENVIRONMENT SOCIETY 9763 7017  
 - BEST PLANT BROKERS 9791 8387

**PLANTING SCHEDULE**

TREES - ROW 'A'	TREES - ROW 'B'
EUCALYPTUS CEPHALOCARPA	ACACIA IMPLEXA
EUCALYPTUS GONIOCALYX	ACACIA MEARNsii
EUCALYPTUS MACRORHYNCHA	ACACIA MELANOXYLON
EUCALYPTUS MELLIADORA	ACACIA MYRTIFOLIA
EUCALYPTUS OBLIQUA	CASUARINA LITTORALIS
EUCALYPTUS RADIATA	
'SILVER STRINGYBARK'	
'LONG LEAF BOX'	
'RED STRINGYBARK/'	
'YELLOW BOX'	
'MESSMATE'	
'NARROW LEAVED PEPPERMINT'	
'LIGHTWOOD'	
'BLACK WATTLE'	
'BLACKWOOD'	
'MYRTLE WATTLE'	
'BLACK SHEOKE'	
SHRUBS - ROW 'C'	
ACACIA PARADOXA	
ACACIA PYCNANTHA	
KUNZEA ERICIFOLIA	
LEPTOSPERMUM ERICIFOLIA	
MELALEUCA BARK'	
ERICIFLOIA	
'HEDGE WATTLE'	
'GOLDEN WATTLE'	
'KUNZEA SP.'	
'PRICKLY TI TREE'	
'SWAMP PAPER BARK'	

CHECKED <i>Jan Stacey</i>	<h1>KNOX CITY COUNCIL</h1> <h2>STANDARD PLANTING LAYOUT FOR TREE RESERVES</h2>	DATE 1-8-2001
APPROVED <i>Jim Conway</i>		REVISION
SCALE N.T.S.		CAD FILE NAME S 651.1



CHECKED

*Jan Stacey*

APPROVED

*Jan Stacey*

SCALE

N.T.S.

# KNOX CITY COUNCIL

## STANDARD PLANTING DETAIL OF TREE RESERVES

DATE

1-8-2001

REVISION

CAD FILE NAME

S 651.2