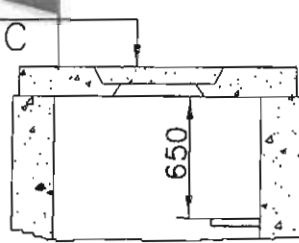
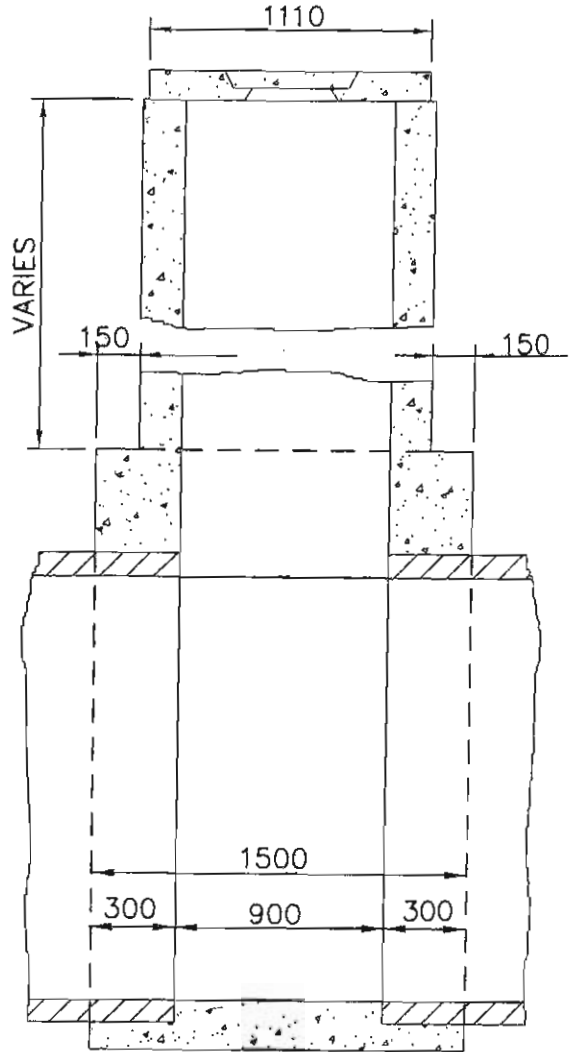


COVER AND FRAME TO SUIT DRAINAGE PIT, 1110 X 1110 FIBREGLASS COVER REFER TO S110.4.

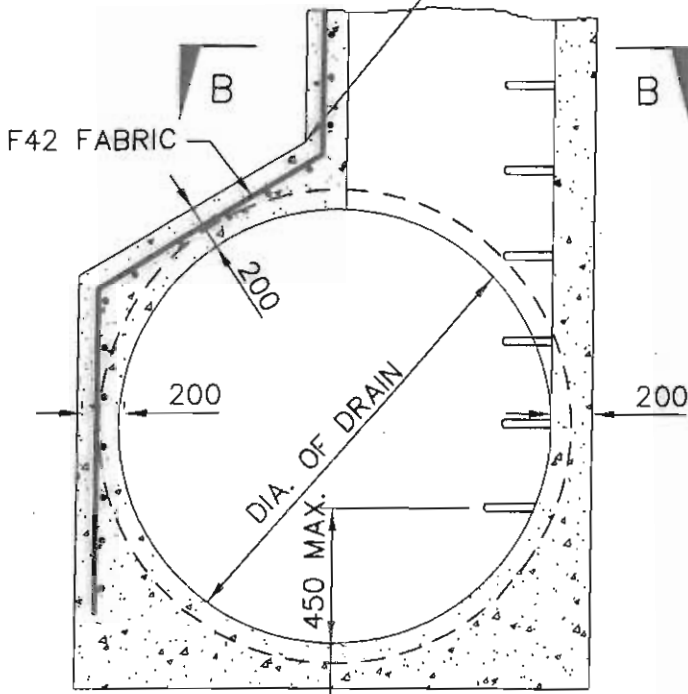


STEP IRONS AS PER DETAIL AT 300 MM CENTRES.

REINFORCING TO BE NOT LESS THAN 300 MM ABOVE THIS ANGLE

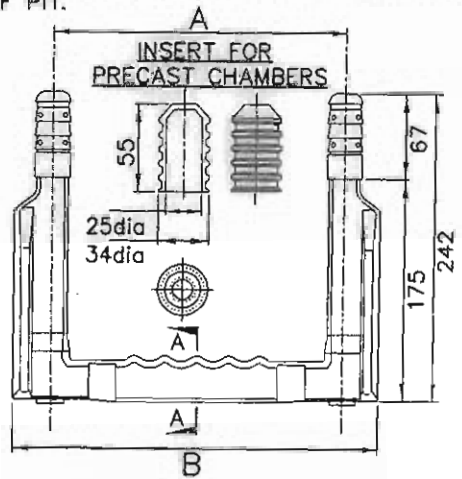


SECTION 'C-C'



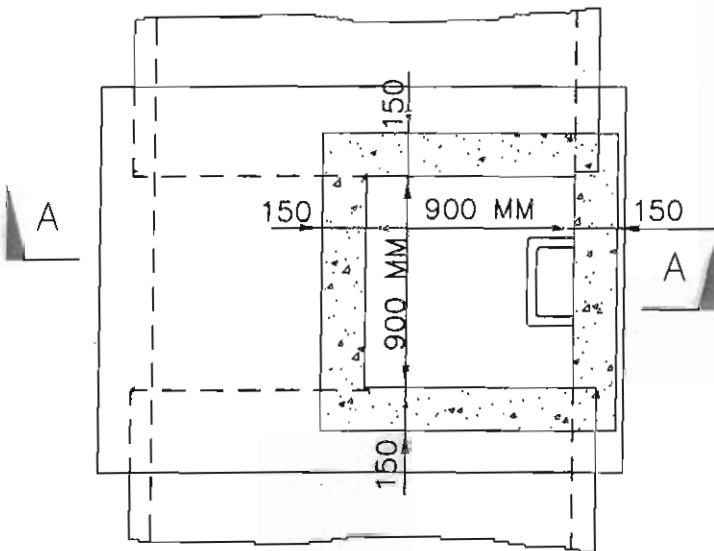
SECTION 'A-A'

PLASTIC ENCAPSULATED STEP IRONS TO BE USED IN ALL PITS GREATER THAN 900MM IN DEPTH AND TO BE SPACED @ 300MM CRS. COMMENCING BETWEEN 300MM TO 450MM INVERT 300MM TO 450MM INVERT OF PIT.



	MWT203	MWT253	MWT403
A	175	225	375
B	230	280	430

PLASTIC ENCAPSULATED STEP IRON DETAIL



SECTION 'B-B'

CHECKED *[Signature]*

KNOX CITY COUNCIL

DATE
9-02-2012

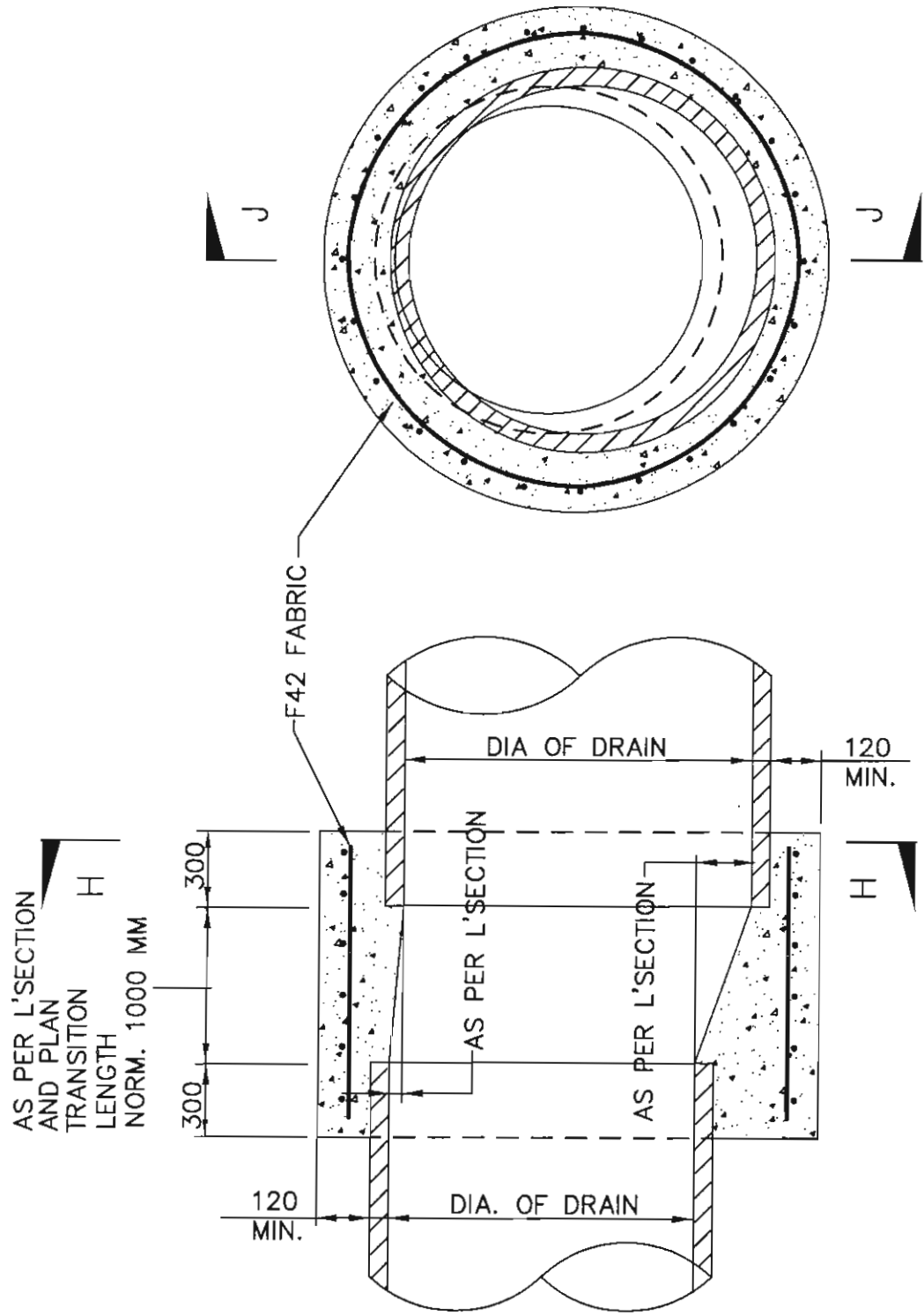
APPROVED *[Signature]*

INSPECTION MANHOLE - MAIN DRAIN

REVISION
B

SCALE
N.T.S.

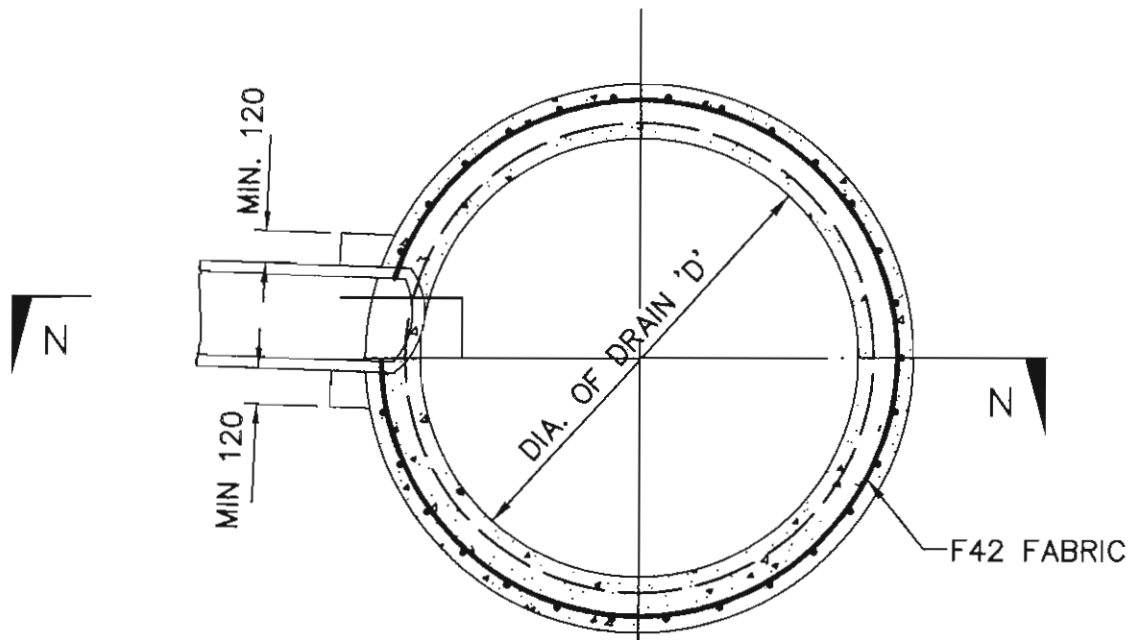
CAD FILE NAME
S 150.1



SECTION 'H-H'

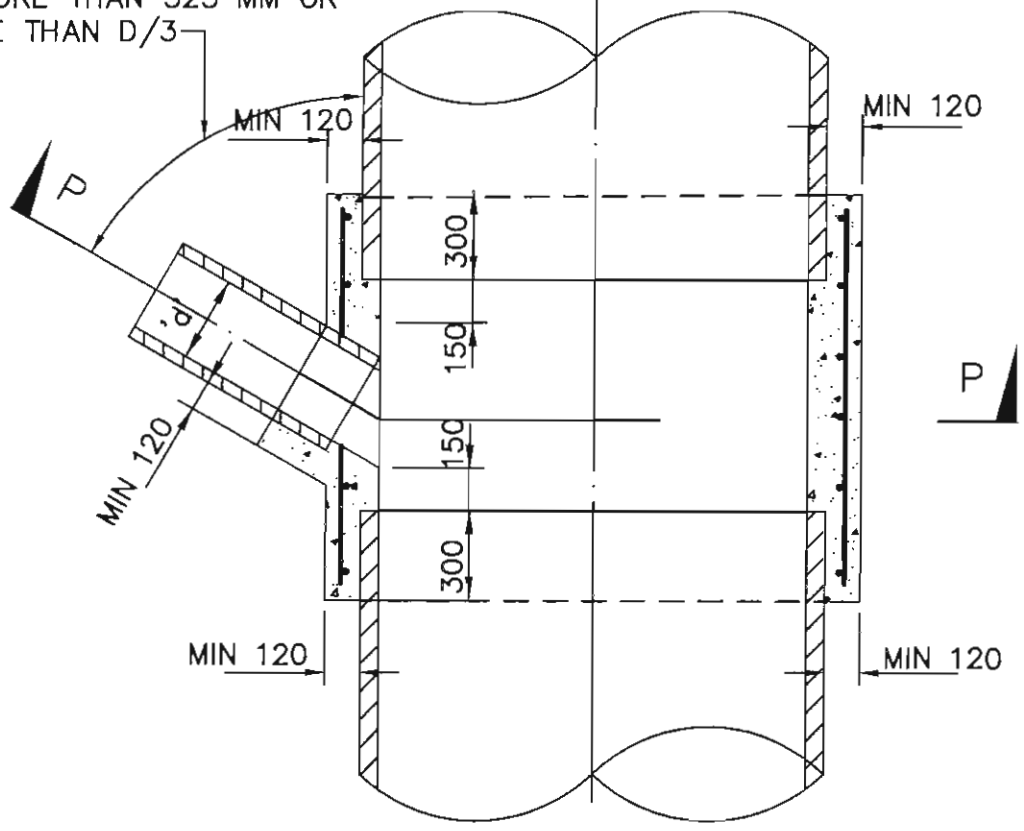
SECTION 'J-J'

CHECKED <i>Jan Stacey</i>	<h1 style="text-align: center;">KNOX CITY COUNCIL</h1>	DATE 1-8-2001
APPROVED <i>Jan Stacey</i>		REVISION
SCALE N.T.S.	<h2 style="margin: 0;">TRANSITION SECTION MAIN DRAIN</h2>	CAD FILE NAME S 151.1



SECTION P-P

AS REQUIRED
 (NOT TO EXCEED 45° WHEN 'd'
 IS MORE THAN 525 MM OR
 MORE THAN D/3)



SECTION N-N

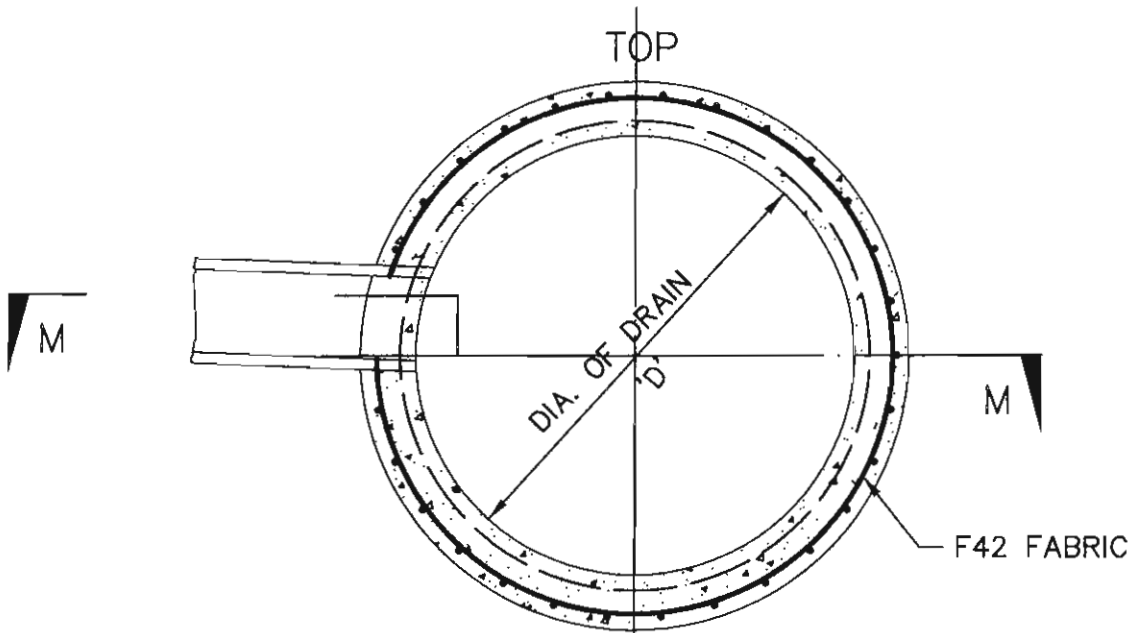
TO BE USED WHEN D (DIAM. MAINDRAIN) > 2d
 (DIAM. OF INCOMING PIPE) BUT < 4d.

CHECKED <i>Jan Stacey</i>
APPROVED <i>Jim Corboy</i>
SCALE N.T.S.

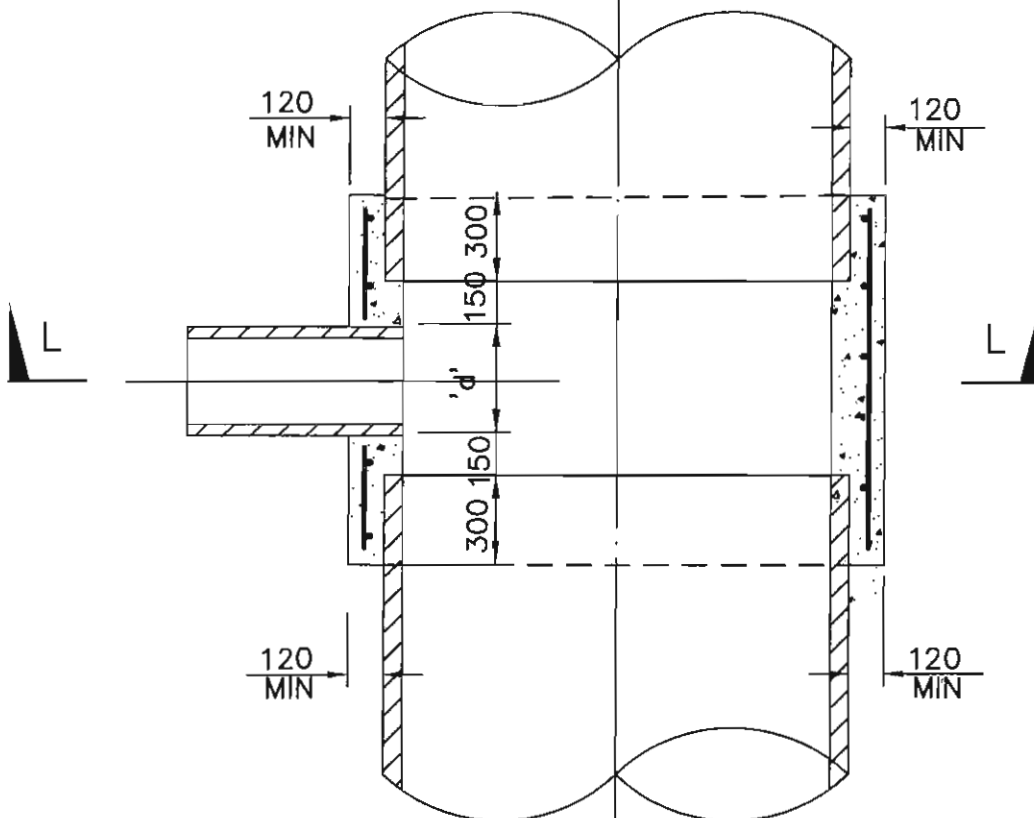
KNOX CITY COUNCIL

DATE 1-8-2001
REVISION
CAD FILE NAME S 152.1

MAIN DRAIN INLET



SECTION L-L



SECTION M-M

TO BE USED WHEN D (DIA. OF MAIN DRAIN)
> 4d (DIA. INCOMING PIPE)

CHECKED
Jan Stacey
 APPROVED
Jan Stacey
 SCALE
 N.T.S.

KNOX CITY COUNCIL

MAIN DRAIN INLET

DATE
 1-8-2001
 REVISION
 CAD FILE NAME
 S 152.2